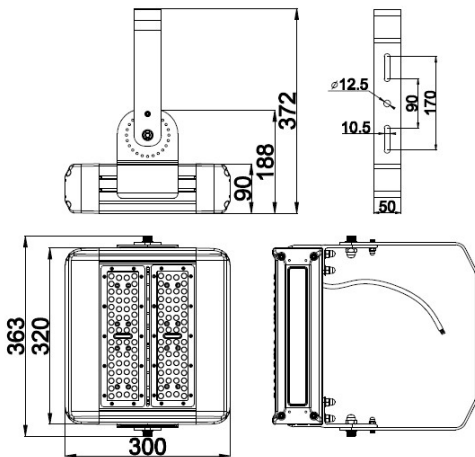


LED FLOOD LIGHT E2-PFL-120W-5000K-D



PRODUCT DESCRIPTION:

Designed to enhance safety and security in public places, E2 Lighting's LED Flood Light provides energy-efficient illumination for parking lots, roadways, pathways and perimeters. This new luminaire incorporates a unique fin-type heat sinker, resulting in decreased luminaire weight and improved heat dissipation. Additionally, the LED driver and heat sinker are segregated, allowing LED driver to function in a cooler environment, thereby resulting in a longer lifespan. UL listed, DLC listed and RoHS compliant.

FEATURES:

- Greater than 130 lm/W system light efficiency
- IP67 protection for outdoor applications
- Various beam angle options: 30°, 60°, 90°, 30°x70°, 60°x90°
- 50,000 Hours L70 Lifespan
- UL and DLC® Premium 4.1

APPLICATION:

- Architectural Flood and Spot Luminaires
- Building and Grounds Lighting, Outdoor Sports Field, Industrial Yard, Billboard and other General Purpose Area Lighting Applications

TESTED DATA:

- Technical Requirements Version: 4.1
- Classification: Premium
- Light Output: 16210 lm
- Wattage: 120 W
- Efficacy: >133 lm/W
- Power Factor: 0.92
- CCT: 3000, 4000, 5000, 6000 K
- CRI: 73
- THD: 17 %
- Frequency: 50-60Hz
- Input Voltage: AC120-277V
- IP Rating: IP67
- Working Environment: -4°F-122°F
- Beam Angle: 30°, 60°, 90°, 30°x70°, 60°x90°
- Dimming Compatible: Yes
- Mercury Content: No Hg
- Lens: Polycarbonate
- Net Weight: 17.20 lbs

WARRANTY:

E2 warrants that our LED products will be free from defects in materials and workmanship for a period of five (5) years from the date of delivery to the end user, including coverage of light output, color stability, driver performance and fixture finish. Please see our complete warranty terms located at www.e2lightingusa.com.

Product Number	Wattage	Color	Certifications	Dimmable	Voltage	Lumens	Working Hours	CRI
E2-PFL-120W-5000K-D	120W	5000K	UL & DLC® Premium	No	AC120-277V	16210lm	50,000hrs	73