

## LED Linear High Bay

### (E2MLH03) 90W, 130W, and 180W

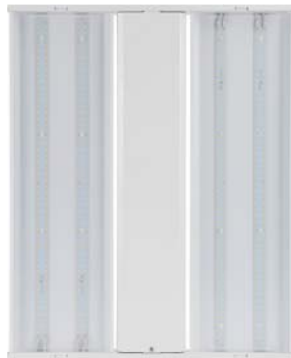
(90W) Dimensions: 23.92x10.31x1.83in.

(130W & 180W) Dimensions: 23.92x19.69x1.83in.

90W



130W &amp; 180W



#### Accessories

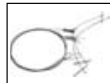
Model: SK618


**PIR Sensor,  
120-277V**
**USE:** Sensor is field installed

Model: YH 12-W890


**Emergency Battery  
Backup**
**NO.EB-8W/90min-1  
USE:** 900lm 90min.

Standard


**Steel Wire  
Rope**
**USE:** Chain mounting.

Model: JB-LHB03


**Bracket Mount**

#### WARRANTY:

E2 warrants that our LED products will be free from defects in materials and workmanship for a period of five (5) years from the date of delivery to the end user, including coverage of light output, color stability, driver performance and fixture finish. Please see our complete warranty terms located at [www.e2lightingusa.com](http://www.e2lightingusa.com).

#### ENHANCED LED PERFORMANCE IN A CLASSIC DESIGN

The E2-LH03 SERIES Linear High Bay Fixtures available with lumen outputs from 12,000 to 24,000 lumens. Power factor >0.9. 0-10V dimmable standard. These fixtures are ideal one-to-one replacement for conventional HID and T8 and T5 fluorescent fixture with mounting heights ranging from 15' to 30' ceilings, widely used in Warehouse, Factory, Convention Center, Gymnasium etc.

#### Features:

- Offering quality lighting and excellent energy savings compared to linear fluorescent and HID highbay fixtures.
- Housing and Finish: Die-cast aluminum housing with white coat finish
- Installation: Conduit, Chains or Pendant
- Motion Sensor optional and supports Emergency Battery.
- Lumen output from 11800-24500lm with efficacy up to 136lm/W.
- Standard 0-10V dimming available, Projected life span of 50,000 hrs.
- Operating temperature is -40°C to 55°C (- 40°F to 131°F) .
- UL/cUL.

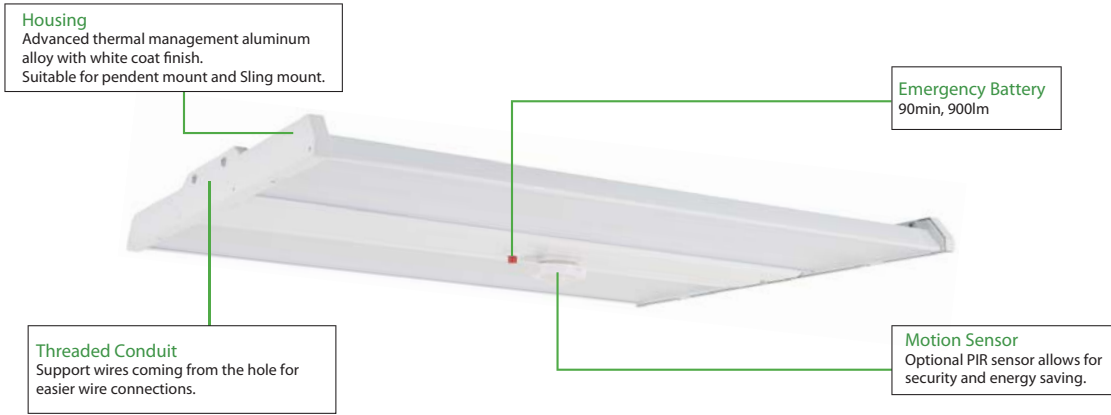
#### TESTED DATA:

- Technical requirements Version: 4.3
- Light Output: 11,800 lm, 17,650 lm, 24,500 lm ,
- Wattage: 90W(2ft) , 130W(2ft), 180W (2ft )
- Efficacy: 130+ lm/W
- Power Factor: 0.90
- CCT: 4000K, 5000K
- CRI: 80
- THD: <17 %
- Frequency: 50-60Hz
- Input Voltage: AC100-277V
- IP Rating: Damp Listed
- Working Environment: -40°F-131°F
- Beam Angle: 120°
- Dimming Compatible: Yes
- Mercury Content: No Hg
- Lens: Clear Polycarbonate

## ORDERING GUIDE

Example: E2MLH03130W27VXXKYYY

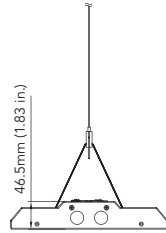
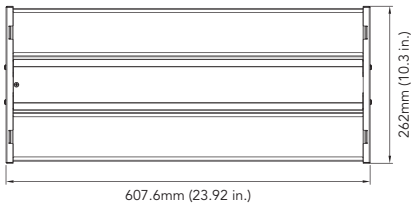
Fixture Type	Wattage	Voltage	CCT	Lens	Sensor (Option)	Backup Battery (Option)
<input type="checkbox"/>	<input type="checkbox"/>	<input type="checkbox"/>	<input type="checkbox"/>	<input type="checkbox"/>	<input type="checkbox"/>	<input type="checkbox"/>
E2MLH03 Linear high bay series	90 90W 130 130W 180 180W	27V 120-277V	40K 4000K 50K 5000K	CD Clear Diffuser	M Motion Sensor Blank Without Sensor	B Emergency Battery Blank Without Emergency Battery



## DIMENSION

unit: inch/mm

90W



130/180W

